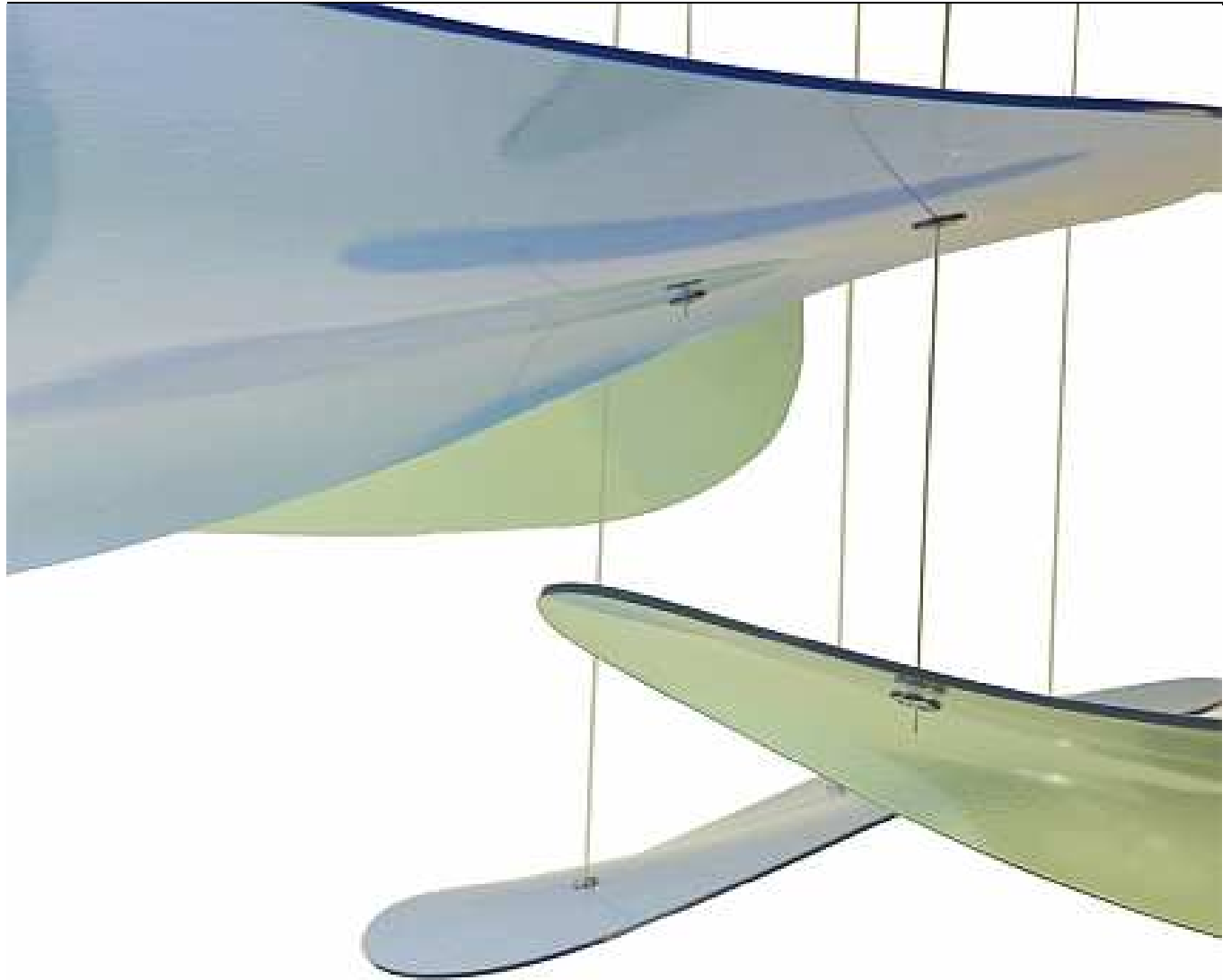


# 3form™ Shapes Installation Manual



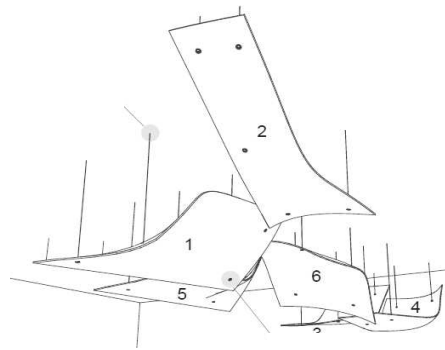
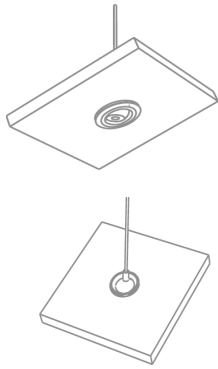
Create fluid motion and dynamic presence with our Continuous Pattern. Design intimate or expansive installations with these edge-matched complex shapes. For a more artfully arranged installation, use any combination of our Sculptural Forms. Specify Twist for a striking installation uniquely customizable in size and rotation. These shapes have infinite compositional possibilities. Install 3form shapes by means of our Shapes and Attachment hardware systems.



## SOLUTIONS OVERVIEW

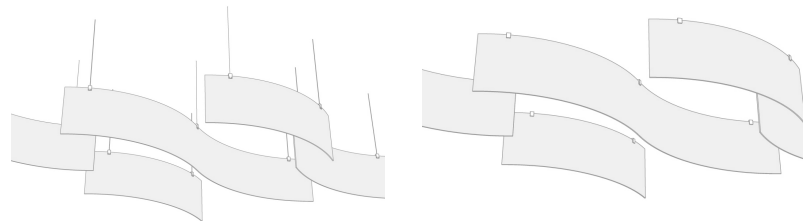
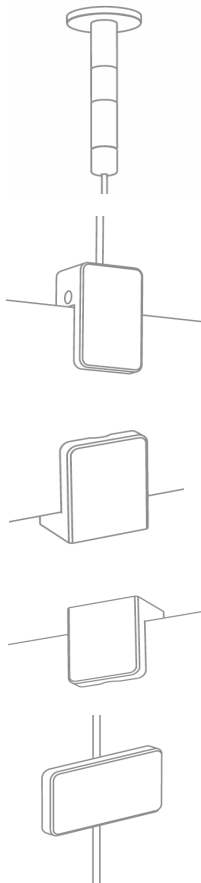
The Shapes and attachment hardware systems are designed to be used with Varia Ecoresin and Chroma Shapes.

### SHAPES HARDWARE

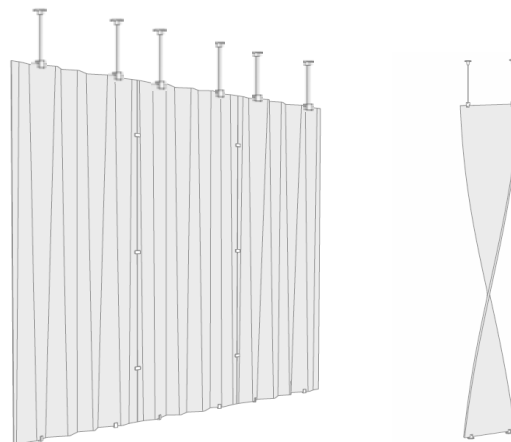


CEILING FEATURES- HORIZONTAL APPLICATION

### ATTACHMENT (SUSPEND) HARDWARE



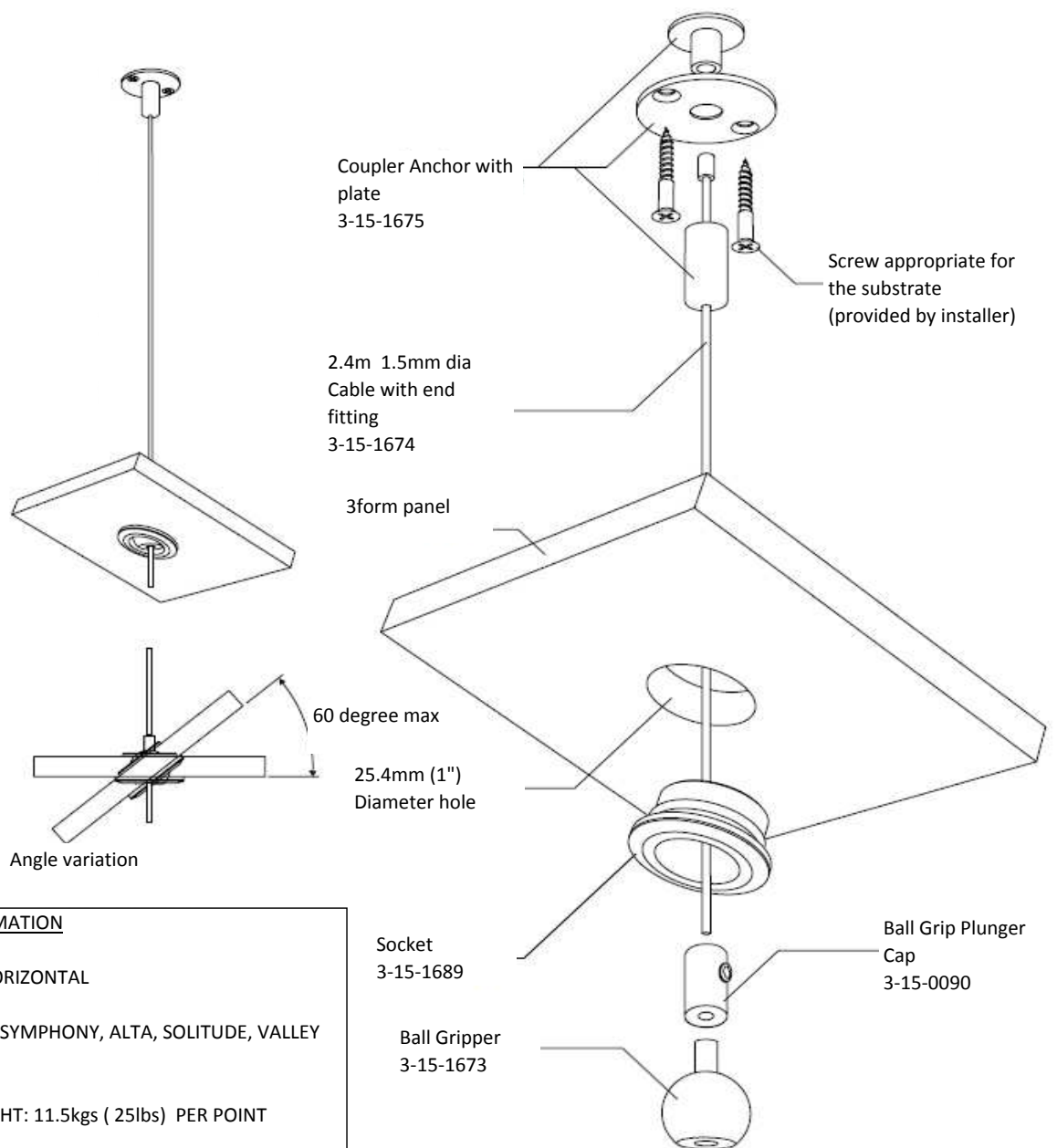
CEILING FEATURES - VERTICAL APPLICATION



PARTITIONS & ROOM FEATURERS - VERTICAL APPLICATION

## SHAPES HARDWARE: PARTS OVERVIEW

### CEILING FEATURE



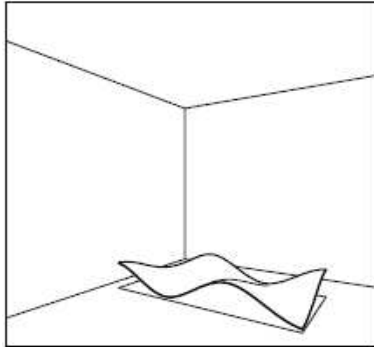
#### GENERAL INFORMATION

APPLICATION: HORIZONTAL

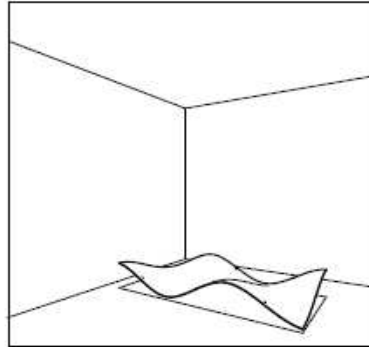
COMPATIBILITY: SYMPHONY, ALTA, SOLITUDE, VALLEY  
AND FLOW

MAXIMUM WEIGHT: 11.5kgs ( 25lbs) PER POINT

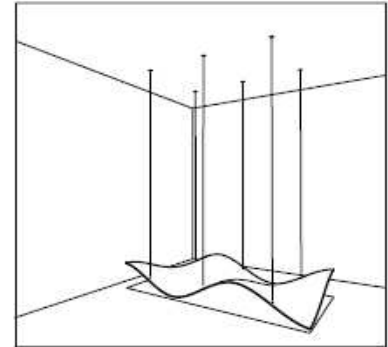
## SHAPES HARDWARE: INSTALLATION



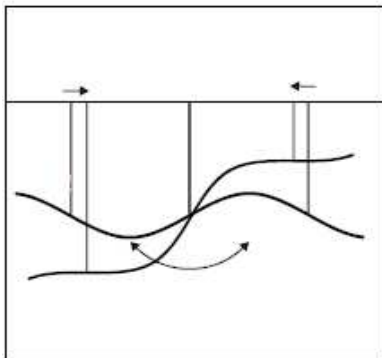
1. Place the panel(s) on the floor in the desired position.



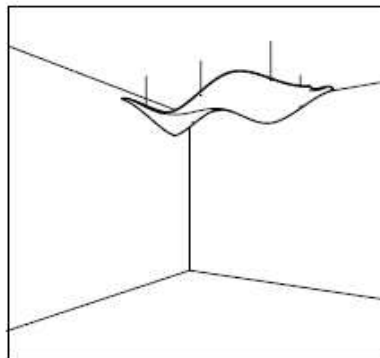
2. Prepare the panel. Drill holes for appropriate hardware.



3. Drill holes into the mounting surface.



Take into account the angle of the panel. It may change the hole locations.



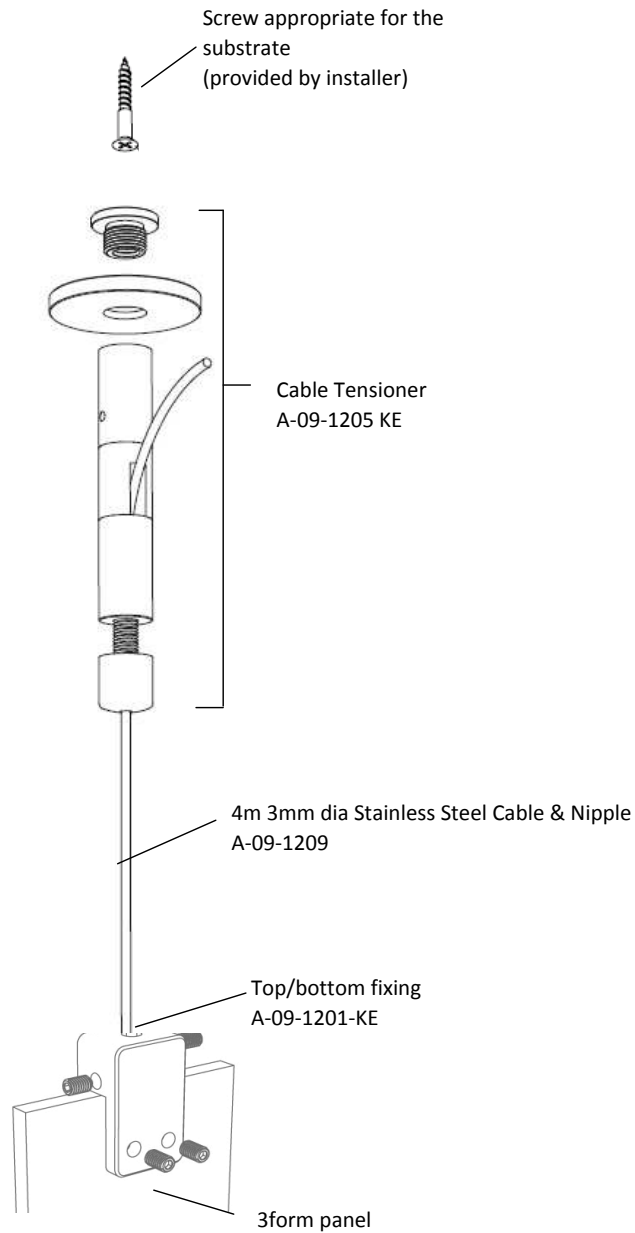
4. Suspend the panel to the ceiling with selected hardware. (See Specific instructions).

Please take into account the substrate you are anchoring into when selecting the method of attaching the anchor plate to the ceiling. Each point of hardware holds up to 11.5kgs (25 lbs), so ensure that the anchor will bear the appropriate weight of the panel. For the number of attachment points per Shape type please review the Shapes Solution Document ([www.3form.eu](http://www.3form.eu)).

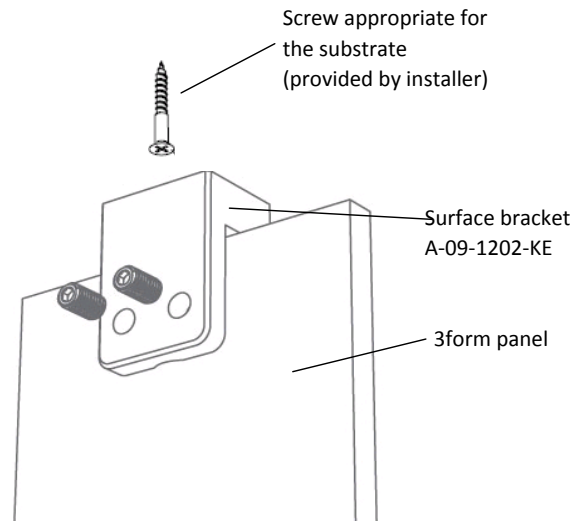
Confirm that the Ball Grip Plunger Cap is on the cable before threading the cable through the Ball Gripper. After the cable is threaded through the Ball Gripper, leave app 25mm (1") of cable below the ball, and then secure the plunger cap to the cable by tightening the set screw. As an alternative to the cable overhang you can swage a stop sleeve on the cable underneath the Ball Gripper. However, one of these two methods (the 25mm (1")) overhang under the ball or the compression stop sleeve) MUST be used during installation.

## ATTACHMENT HARDWARE: PARTS OVERVIEW

CEILING FEATURE (A)



CEILING FEATURE (B)



**GENERAL INFORMATION**

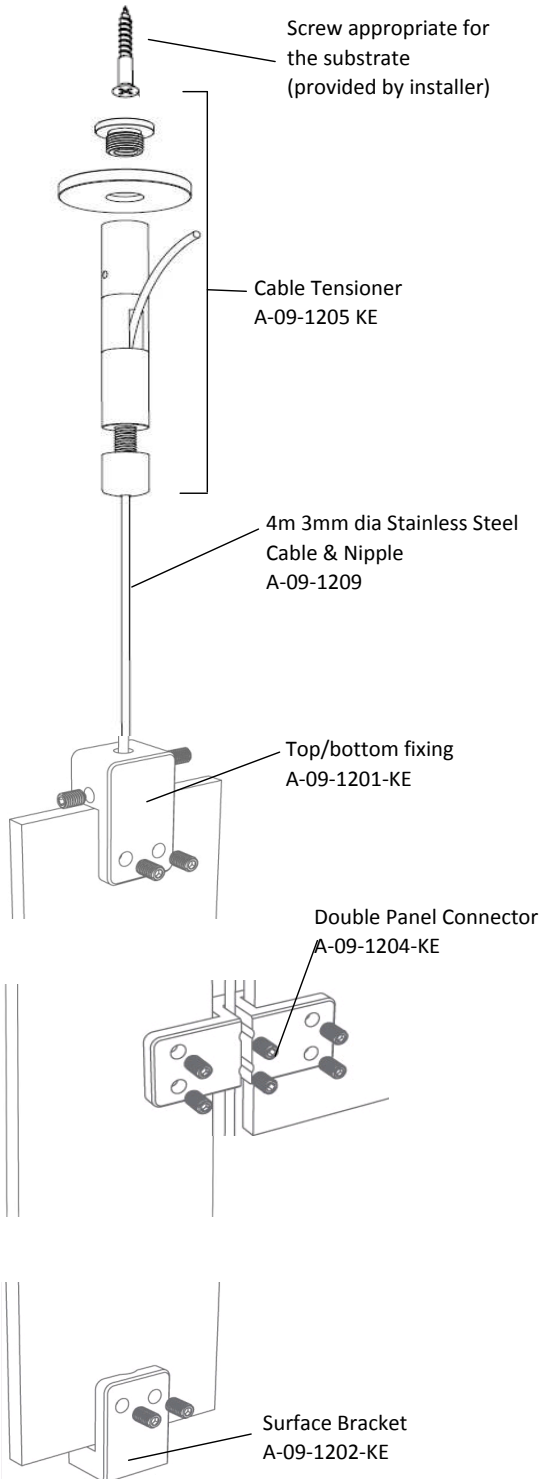
APPLICATION: VERTICAL

COMPATIBILITY: SAILS

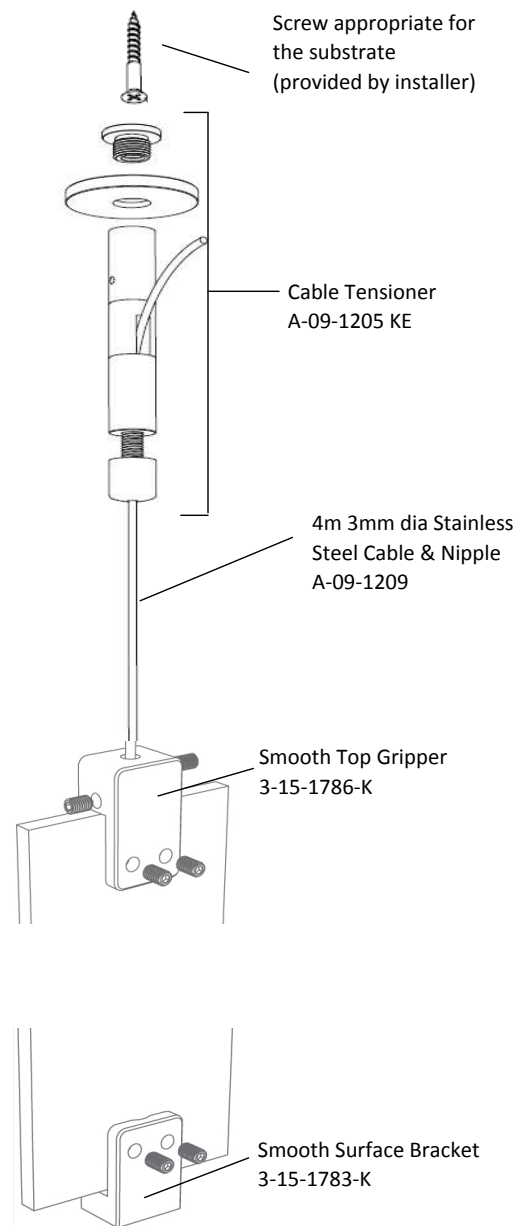
# OF ATTACHMENT POINTS: AS PER SOLUTION DOCUMENT

# ATTACHMENT HARDWARE: PARTS OVERVIEW

## PARTITIONS & ROOM FEATURERS (9.5MM GAUGE)



## ROOM FEATURERS (12.7MM GAUGE)



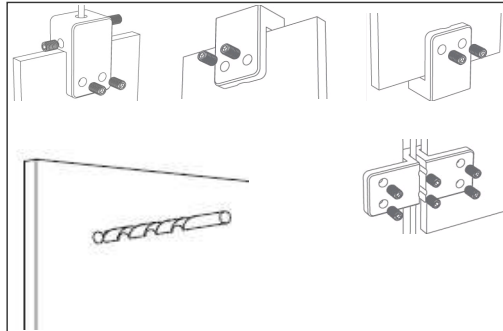
**GENERAL INFORMATION**

APPLICATION: VERTICAL

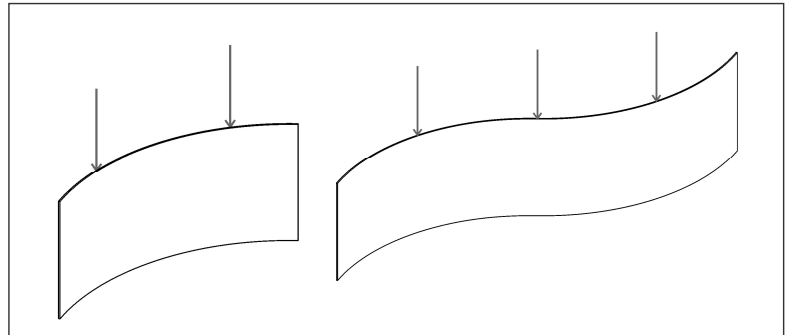
COMPATIBILITY: ZIG ZAG, TWIST

# OF ATTACHMENT POINTS: AS PER SOLUTION DOCUMENT

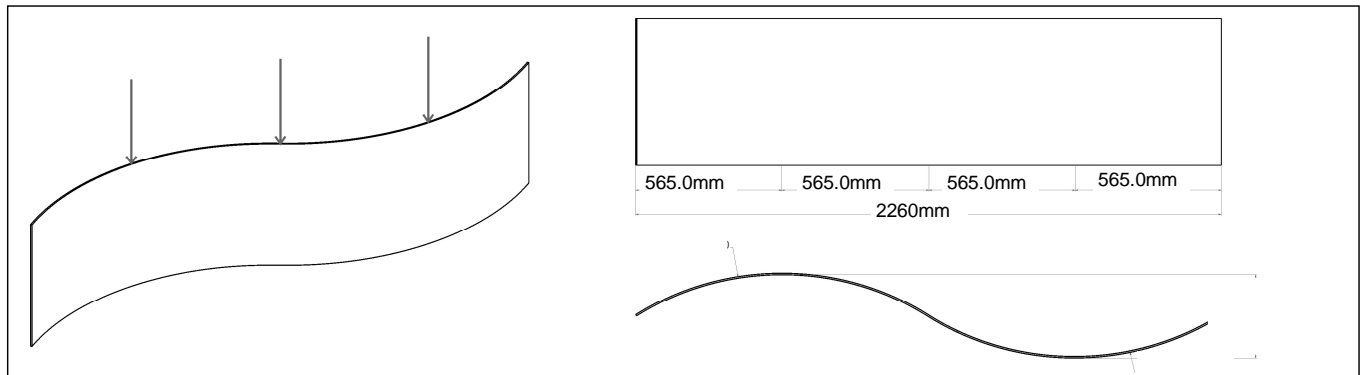
## ATTACHMENT HARDWARE: INSTALLATION



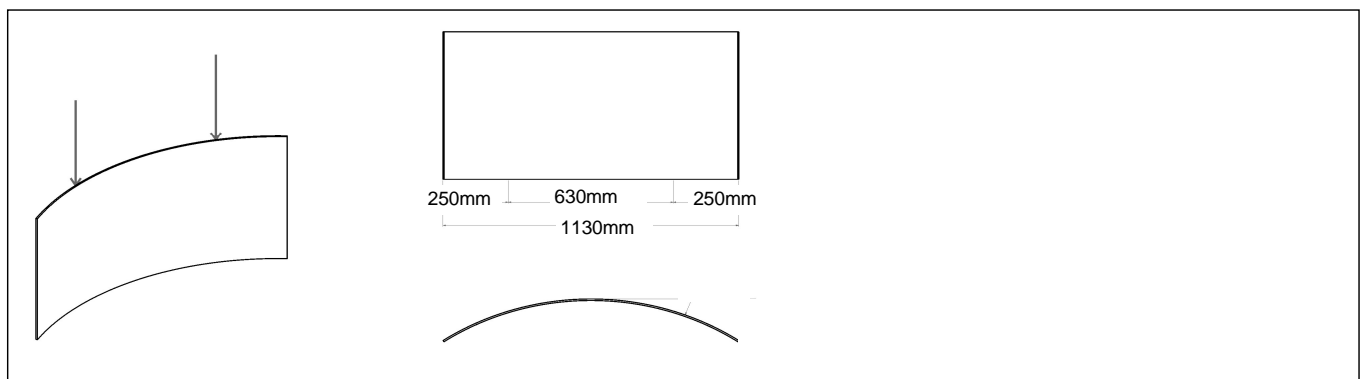
1. Drill holes for M6 fixings and mount attachment hardware onto the Shape.



For Sails In ceiling application the location of the fixing is critical to prevent deflection. See details below for exact location of fixing.

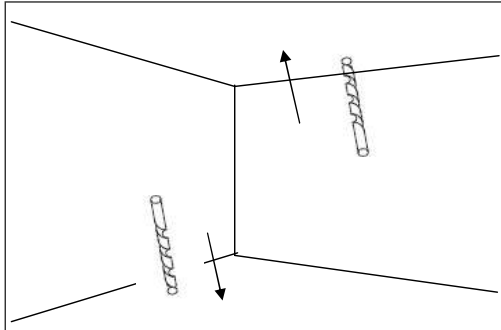


Exact location of fixing as above for 2260mm wide Sails Shapes in ceiling applications.

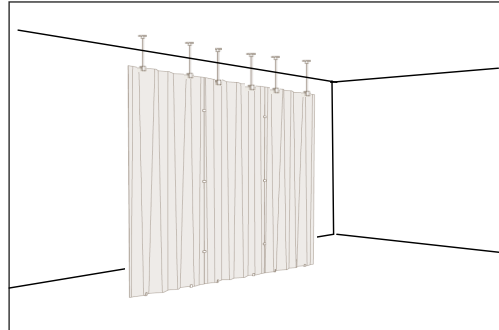


Exact location of fixing as above for 1130 wide Sails Shapes in ceiling applications.

## ATTACHMENT HARDWARE: INSTALLATION



2. Drill holes into the mounting surface according to the selected hardware solution.



3. Suspend the Shapes with the selected hardware.

Please take into account the substrate you are anchoring into when selecting the method of attaching the hardware to the ceiling.

For the number of attachment points per Shape type please review the Shapes Solution Document ([www.3form.eu](http://www.3form.eu)). For more details on Attachment hardware installation please review the Attachment Installation Manual. ([www.3form.eu](http://www.3form.eu))